

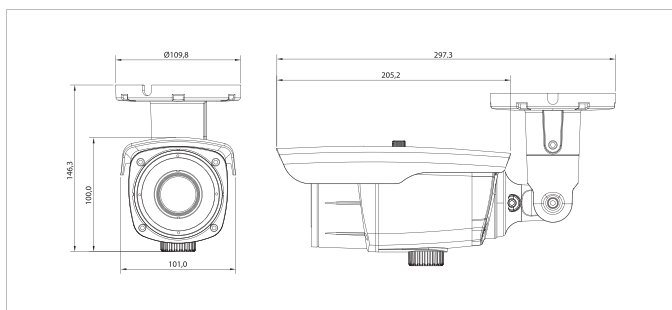
VN7XSM3Ti

3MP 12x Motorized Zoom IR Outdoor Camera



Features

- 3.0MP 1/2.8" Sony progressive scan CMOS image sensor
- 12x(5–60mm) Smart Focus
- Local lens control by OSD switch and Remote lens control on UI
- 30m IR Beam Distance
- Multi Streaming of H.264 and M-JPEG
- H.264 : 20fps/ 2048x1536, M-JPEG : 20fps/ QVGA
- H.264 : 30fps/ 1920x1080, M-JPEG : 30fps/ QVGA
- Integrated motion detection with pre- and post-alarm image/video buffering
- Event-Triggered FTP and email upload of still images and videos
- Full Duplex Two-Way Audio Support(Optional)
- External microphone input & speaker output connector(Optional)
- Digital PTZ
- UPnP supported
- 1 Port analog video loop-out port
- Supports CBR and VBR modes
- Supports 12VDC/ IEEE 802.3af PoE injectors, mid- and end-spans
- Integrated HTTP Web server supporting 50 simultaneous user connections
- HTTPS supported(Hyper Text Transfer Protocol Secured)
- Integrated E-Mail, FTP, DDNS and DHCP client
- Extensive CGI API for software integration and remote programming operations
- Window based IP installer and license-free 16 CH NVR software
- Cable managed bracket
- IP67 Weatherproof



MODEL		VN7XSM3Ti	
Classification		Specification	
General	CPU	32-bit ARM9 RISC CPU up to 432MHz	
	Video Buffer	128Mbyte	
	Flash	128Mbyte	
	SDRAM	256Mbyte	
Image Pickup	Image sensor	3.0 Megapixel 1/2.8" SONY progressive scan CMOS image sensor	
	Total Pixels	2144(H) x 1588(V) 3.4 Megapixel	
	Effective Pixels	2096(H) x 1561(V) 3.27 Megapixel	
	S/N Ratio	More than 50dB	
	Min. Illumination	0Lux (IR On)	
	IR Distance	30M	
	Day & Night	ICR	
	Lens Control	Smart Focus	
Video	Lens	5~60mm Smart Focus	
	Video compression	H.264 High Profile@Level 4.0, Motion JPEG	
	Resolutions	Up to 2048 x 1536	
	Frame rate	H.264 Up to 15fps with 2048x1536	
		MJPEG Up to 30fps with 1080p resolution	
	Video streaming	Support multi stream with H.264, MJPEG	
		Adjustable frame rate	
	Pan/Tilt/Zoom	VBR/CBR in H.264	
		Digital PTZ	
	Image setting	Day & Night	
Auto White Balance			
Auto Exposure			
Privacy Mask			
Effect - Color, Sharpness, Mirror/V-Flip, etc.			
Output	BNC x1, 1.0Vp-p, 75 ohm Composite Video, NTSC/PAL		
Audio (Option)	Audio streaming	Two-way, full duplex	
	Audio compression	G.711	
	Sample Rate	8KHZ	
	Data Rate	64Kbps	
	Audio input	Microphone input /1 x Line-In (Mono)-Option	
	Audio output	Line output/ 1 x Line-Out (Mono)-Option	
Network	Security	Password protection	
		User access log	
		HTTPS encryption	
Supported protocol	HTTP, HTTPS, FTP, SMTP, UPnP, DNS, DynDNS, NTP, RTSP, RTP, TCP, UDP, ICMP, DHCP		
System integration	Intelligent video	Motion detection up to 2048x1536 with 32x24 blocks	
	Alarm trigger	Motion detection External input/Normal Open/Close Type	
	Alarm events	File upload via ftp, e-mail	
		Notification via email, FTP and TCP	
	Video buffer	16MB pre-alarm and post-alarm	
	Firmware upgrade	Remote upgrade via network	
API	CGI Interface document		
	ActiveX Interface(ocx(dll) + document)		
Physical	Power Source	DC 12V/1.5A, PoE(Power over Ethernet): 802.3af	
	Power Consumption	Max. 6.6W, Max. 11.4W with IR On	
	Net Weight	1500g (Camera Only)	
	LED's	Power, Network Connection	
	Dimension	101mm(W) X 108.7mm(H) X 297mm(D) including Bracket	
Environment	Operating Temperature	-10 degree~50 degree Celsius (14F~122F)	
	Storage Temperature	-20 degree~60 degree Celsius (-4F~140F)	
Software	Included Software	NVR Lite (16 Channel), IP Installer (Windows only)	
Package	Package Contents	Network Camera, Use Manual, External Power Adaptor, Software CD	